

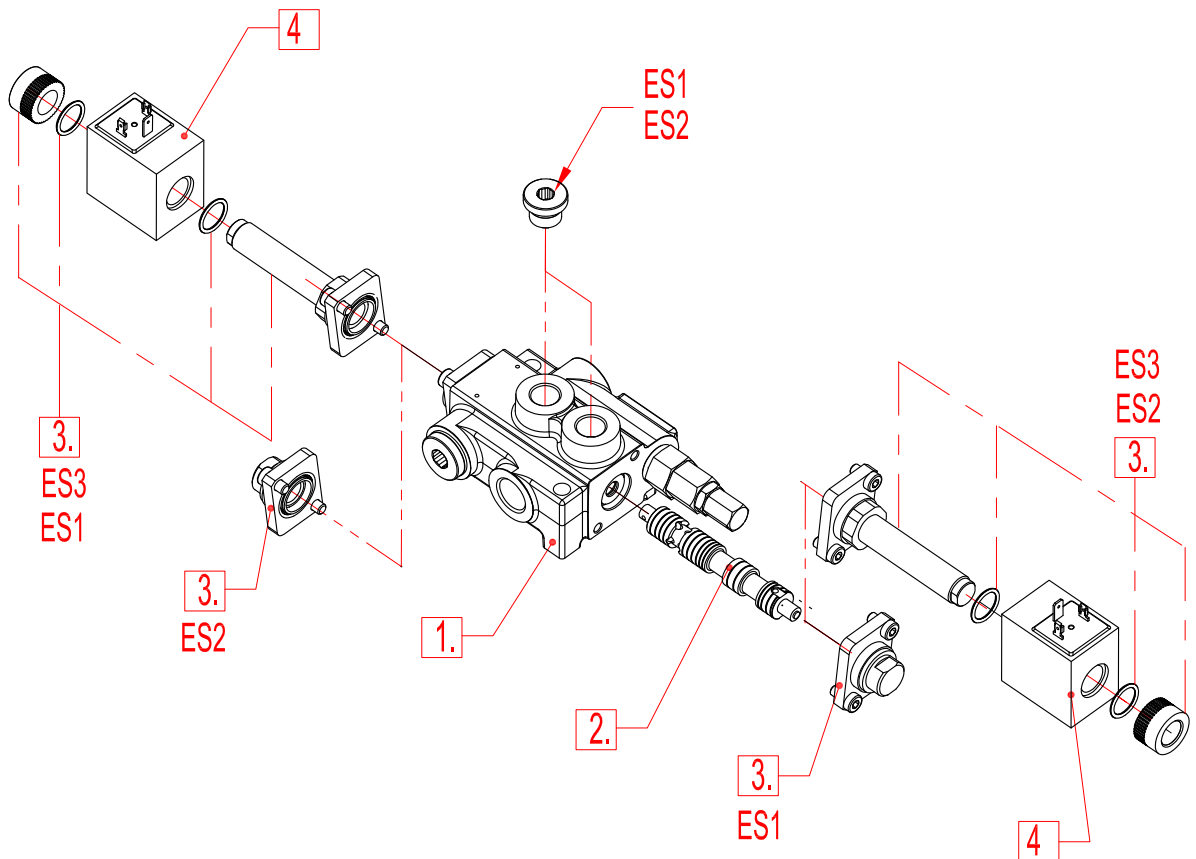
directional control valve Z50

ES ... SOLENOID DIRECT CONTROL

Solenoid direct control with spring return to neutral position.  
 Needs special spools and special body Z50.

ORDERING EXAMPLE

Z50 A ES3 12VDC G  
 1 2 3 4 5



**1. Body kit**

Type	Description
Z50	1 spool
02Z50	2 spool
03Z50	3 spool
04Z50	4 spool
05Z50	5 spool
06Z50	6 spool

**2. Spool options**

Type	Description
A	Double acting, 3 positions with A and B closed in neutral position
D	Double acting, 3 positions with A and B open to Tank in neutral position

**3. Control kit**

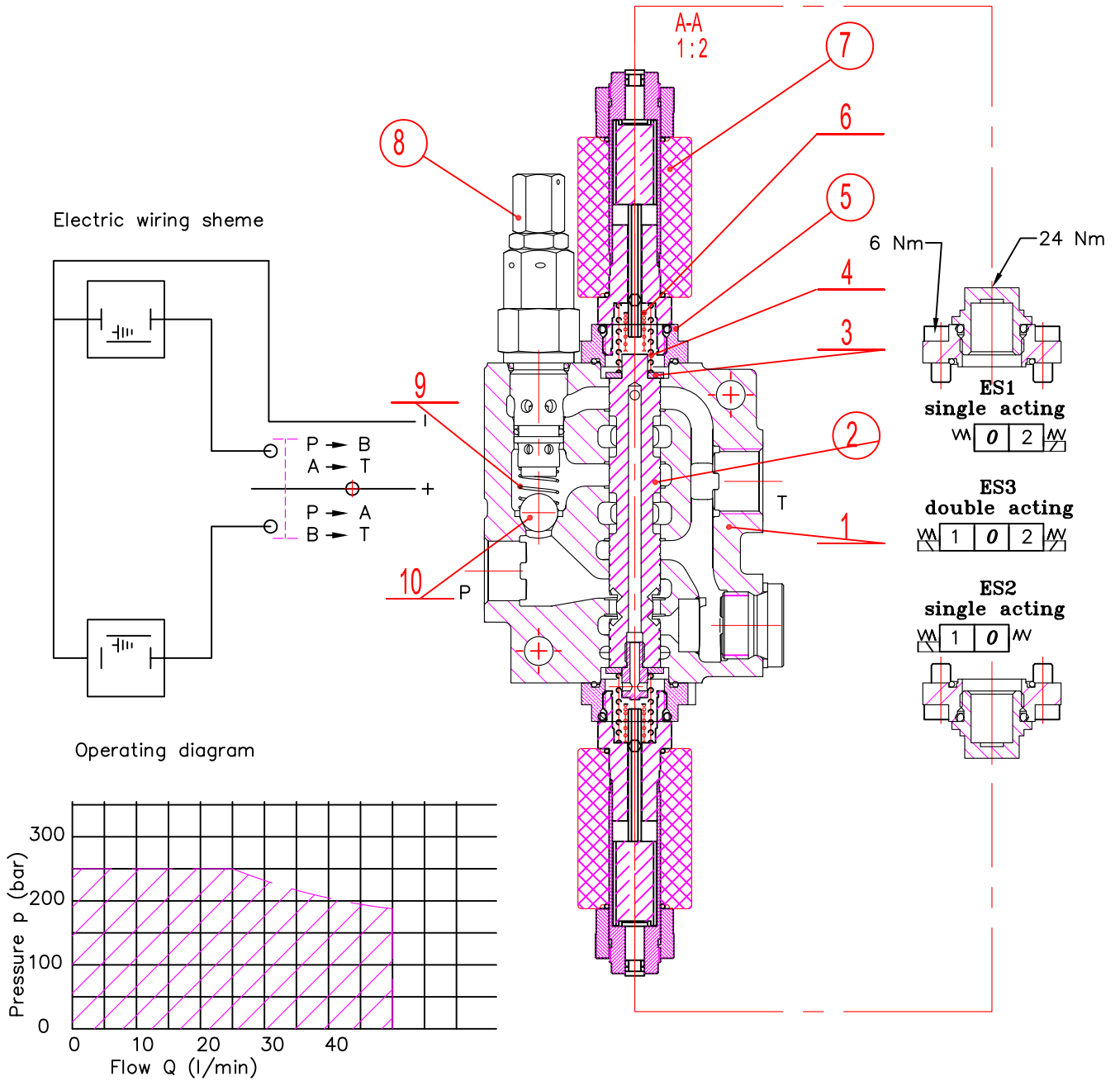
Type	Description
ES1	Single acting P – A with spring return in neutral position
ES2	Single acting P – B with spring return in neutral position
ES3	Double acting P – A (B) with spring return in neutral position

**4. Coils**

Type	Description
(with connector ISO 4400)	
12VDC	Nominal voltage 12VDC
24VDC	Nominal voltage 24VDC

**5. Threads**

G	P, T – G1/2; A, B – G3/8
---	--------------------------



**Operating features**

**Техническиe прилечания**

**Control**

Internal leakage A(B) → T  
 (p=100 bar Viscosity 35 cSt : max 18 ccm/min)

**Coil**

Nominal voltage tolerance . . . . . ±10%  
 Power rating . . . . . 37 W  
 Coil insulation . . . . . class H  
 Duty cycle . . . . . 100%  
 Connector ISO 4400  
 Emergency manual override